



OUTDOOR GAS FIREPLACES



regency-fire.com

WHY CHOOSE REGENCY?

At Regency, our past 40 years have been focused on providing a high-level of service while building high-quality and reliable products that our customers can enjoy for years to come.

HIGH-QUALITY

Producing a high-quality product has been at the very heart of what we do from when that very first stove rolled off the production line over 40 years ago to today. We are ever-focused on producing quality products for our customers that will last for years to come.

BEST WARRANTY

A fireplace should be reliable and should work right the first time it is used, and the 1,000th. A core part of our business is making sure that we are building long-lasting, durable, high-quality products; we back-up that commitment with the industry's best warranty on all our products.

COST-EFFICIENT

Enjoy the outdoors for longer. Controllable zone heating allows you to extend your patio season earlier in the spring and later into the fall. Enjoy your patio all night long with Regency's outdoor gas fireplaces.

Why Regency? Because it's **more** than a fireplace!



TABLE OF CONTENTS

Regency Plateau® Firetable	
PTO30CFT	04
Regency Horizon™ Outdoor Gas Fireplaces	
HZ042	06
HZ060	08
Regency Plateau® Gas Burners	
PTO30	10
PTO50	12
Design Choices & Options	14
Specifications	16



REGENCY PLATEAU® FIRETABLE PTO30CFT

Coffee Firetable



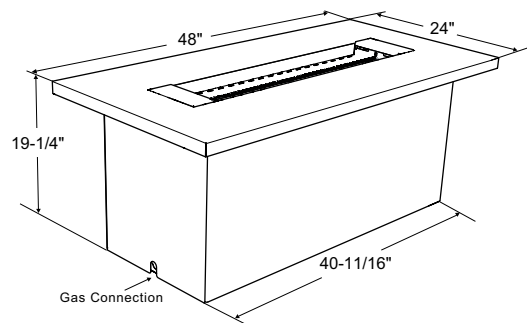
PTO30CFT shown with stainless steel top, crystals and glass wind shield.

LINGER OUTDOORS LONGER...IN STYLE

Regency's versatile firetable is perfect for outdoor entertaining. At 20" tall, the sleek linear style of the Regency Plateau Coffee Table creates the perfect gathering space. Included is a dining leaf that adds functionality as an outdoor table when the fireplace is not in use. The Plateau Firetable collection is crafted from the highest quality materials and durable construction, built to withstand the outdoor elements.

SPECIFICATIONS	NATURAL GAS	PROPANE
Input (BTU)*	49,000	48,000
Turn down to (BTU) *	18,000	15,000

* Figure will vary with individual conditions and fuel quality.





PTO30CFT shown with sunset bronze top, crystals and glass wind shield.

STANDARD FEATURES

- Propane
- Stainless steel linear burner
- Easy access on/off switch
- Match light ignition system
- Safety valve (turns gas off if flame goes out)
- Manual flame height adjustment
- Dining leaf adds functionality as an outdoor table when fireplace not in use
- Propane tank access & storage (11 lb tank)
- Approved for outdoor installation only
- No venting required

OPTIONS

- Stainless steel or sunset bronze powder coated top (must choose one)
- Crystals or firebeads in various colors (must choose one)
- Volcanic stones in various colors
- Ceramic driftwood log set
- Seasonal weather cover
- Tempered glass wind shield (4-pc) with seasonal weather cover - recommended
- 4 casters (wheels to replace leveling legs)
- Natural gas conversion kit

REGENCY HORIZON™ HZO42

Outdoor Gas Fireplace



HZO42 shown with crystals.

DESIGN YOUR OWN OUTDOOR FIREPLACE

Enjoy the drama of beautiful wide-angle flames amplified by a reflective stainless steel body. A tempered glass wind shield maintains the strong flame picture, while the seasonal weather cover (included) protects the fireplace when it's not in use. Choose from a host of fine fire bed selections to create a flame experience as unique as you.

SPECIFICATIONS	NATURAL GAS	PROPANE
Input (BTU)*	44,500	43,500

* Figure will vary with individual conditions and fuel quality.

DIMENSIONS	
Faceplate width	39-1/2"
Faceplate height	17"
Viewing area	449 sq. in.



HZO42 shown with driftwood ceramic log set & optional framing kit.

STANDARD FEATURES

- Natural gas or propane
- Stainless steel linear burner covered with copper crystals
- Stainless steel faceplate with seasonal weather cover
- Stainless steel heat deflector & inner panels
- Tempered glass wind shield
- Easy access on/off switch
- Electronic ignition system
- Safety valve (turns gas off if flame goes out)
- Runs on a battery pack, or choose to hardwire directly into household wiring
- Approved for outdoor installation only
- No venting required

OPTIONS

- Crystals or firebeads in various colors
- Volcanic stones in various colors
- Ceramic driftwood log set
- River pebbles
- Framing kit
- Hardwire kit

REGENCY HORIZON™ HZO60

Outdoor Gas Fireplace



HZO60 shown in see-through application.

REGENCY'S LARGEST OUTDOOR GAS FIREPLACE EVER!

HZO60 is the perfect combination of style and comfort. This impressive 60" outdoor fire feature converts from single-sided to see-through design perspective. Harness the power of 64,000 BTU's to remove the chill from night air so you can enjoy your patio for longer!

SPECIFICATIONS	NATURAL GAS	PROPANE
Input (BTU)*	64,000	62,000

* Figure will vary with individual conditions and fuel quality.

DIMENSIONS	
Width	60"
Height	17"
Depth	18"
Viewing area	up to 1,020 sq. in.



HZO60 shown in single-sided application.

STANDARD FEATURES

- Natural gas
- Stainless steel linear burner
- Single-sided or see-through design
- Stainless steel inner panels
- Tempered glass wind shield
- Easy access on/off switch
- Electronic ignition system
- Safety valve (turns gas off if flame goes out)
- Runs on a battery pack, or choose to hardwire directly into household wiring
- Approved for outdoor installation only
- No venting required

OPTIONS

- Stainless steel faceplate
- Stainless steel burner perimeter finishing trim
- Stainless steel burner cover
- Crystals or firebeads in various colors (must choose one)
- Volcanic stones in various colors
- Ceramic driftwood log set
- Hardwire kit
- Propane conversion kit

REGENCY PLATEAU® BURNER PTO30

Outdoor Gas Burner



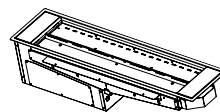
Two PTO30's connected end to end, shown with wind shield and framing kit.

THE ULTIMATE CUSTOMIZED FIRE FEATURE

For custom applications, the Regency Plateau Outdoor Burner brings the design versatility of a linear stainless steel burner to any outdoor space. Whether you are a landscape designer or a homeowner looking to renovate an outdoor living space, the Regency outdoor burner creates endless design possibilities for your outdoor oasis. This unit is available in 30" (PTO30), or you can install two together to turn it into a 60" burner.

SPECIFICATIONS	30"		60"	
	NATURAL GAS	PROPANE	NATURAL GAS	PROPANE
Input (BTU)*	50,000	49,000	100,000	98,000

* Figure will vary with individual conditions and fuel quality.



30"
PTO30 burner



60"
Two PTO30 burners
connected end to end



Custom application using the Regency Plateau® PTO30 burner and see-through framing kit with Stainless Steel Panels.

STANDARD FEATURES

- Natural Gas
- Stainless steel linear burner
- Combine two burners for a more impressive fire feature
- Easy access on/off switch
- Electronic ignition
- Safety valve (turns gas off if flame goes out)
- Runs on a battery pack, or choose to hardwire directly into household wiring
- Approved for outdoor installation only
- No venting required

OPTIONS

- Stainless steel burner cover
- Crystals or firebeads in various colors (must choose)
- Volcanic stones in various colors
- Ceramic driftwood log set
- Tempered glass wind shield (4-pc) with seasonal weather cover - recommended
- See-through & table framing kits (includes ventilation grills)
- Optional 3pc brushed stainless steel panels (top + sides) for see-through framing kit
- Hardwire kit
- Propane conversion kit

REGENCY PLATEAU® BURNER PTO50

Outdoor Gas Burner



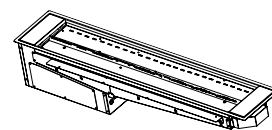
Two PTO50's (100") connected end to end, shown in custom application.

CREATE THE BACKYARD OF YOUR DREAMS

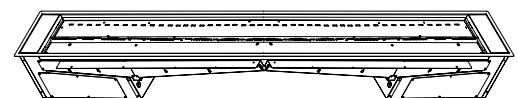
Add drama, warmth, and ambiance to your outdoor living space with the 50" linear stainless steel burner that provides the ultimate custom solution! This outdoor burner series allows you to create a custom fire feature as unique as your outdoor sanctuary. Connect two burners end-to-end to build an impressive 100" custom feature, or connect the 50" burner with our 30" burner for a custom 80" fire feature.

SPECIFICATIONS	50"		100"	
	NATURAL GAS	PROPANE	NATURAL GAS	PROPANE
Input (BTU)*	64,000	62,000	128,000	196,000

* Figure will vary with individual conditions and fuel quality.



50"
PTO50 burner



100"
Two PTO50 burners
connected end to end



Two PTO50's (100") connected end to end, shown in custom application.

STANDARD FEATURES

- Natural gas
- Stainless steel linear burner
- Combine two burners for a more impressive fire feature
- Easy access on/off switch
- Electronic ignition
- Safety valve (turns gas off if flame goes out)
- Runs on a battery pack, or choose to hardwire directly into household wiring
- Approved for outdoor installation only
- No venting required

OPTIONS

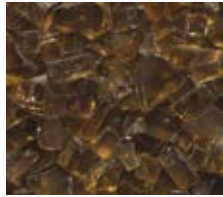
- Stainless steel finishing trim
- Stainless steel burner cover
- Crystals or firebeads in various colors (must choose one)
- Volcanic stones in various colors
- Ceramic driftwood log set
- Tempered glass wind shield (4-pc or 6-pc) with seasonal weather cover - recommended
- Table framing kits (includes ventilation grills)
- Hardwire kit
- Propane conversion kit

FINISHING OPTIONS

CRYSTALS & FIREBEADS



Crystals - Black



Crystals - Copper



Crystals - Starfire



Firebeads - Black



Firebeads - Caramel Luster



Firebeads - Glacier Ice

STONES & LOGS



Volcanic Stones - Gray



Volcanic Stones - Tan



River Pebbles (HZO42 only)



Driftwood Ceramic Log Set

COFFEE FIRETABLE TOP OPTIONS



Stainless Steel



Sunset Bronze

ADDITIONAL OPTIONS



Exquisitely finished tempered glass for maximum safety and optimum fire viewing (Table top version shown)



Matching burner cover protects the burner, when not in use (not available for HZO42)

FRAMING KITS

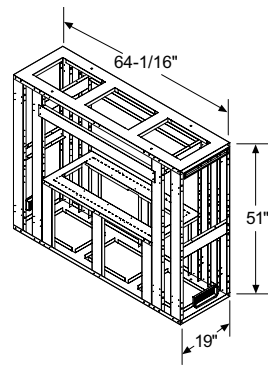
1-2-3 INSTANT FIREPLACE - HZO42



No fireplace? No problem! The Regency steel framing kit allows you to install and finish your outdoor gas fireplace in no time...

DIMENSIONS: 60" W x 20" D x 52-1/2" H

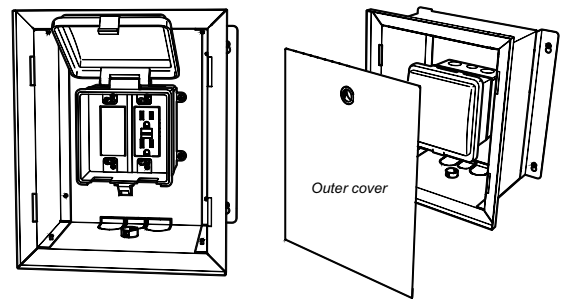
PTO30 SEE-THROUGH FRAMING KIT



Custom application using the Regency Plateau™ PTO30 burner and see-through framing kit with Stainless Steel Panels.

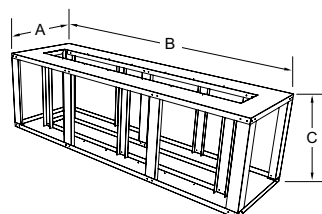
NOTE: Ventilation grills are required for all enclosures. This is to alleviate moisture and allow air to circulate. Depending on model either 2 or 4 ventilation grills with a minimum 20 sq in. for each grill are required. See manual for details.

HARD WIRE KIT



Hard wire kit is perfect for residential or commercial applications (not available for PTO30CFT).

TABLE FRAMING KIT

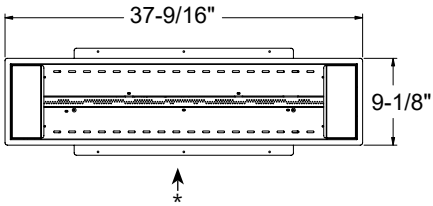


FRAMING	50"	60"
A	24"	24"
B	69"	79"
C	24"	24"

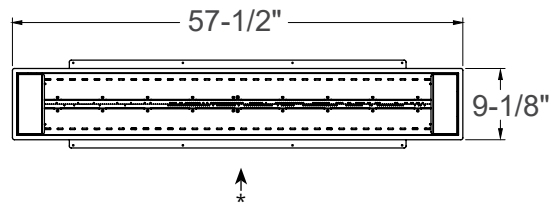
NOTE: Finishing materials are not included with framing kits.

DIMENSIONS

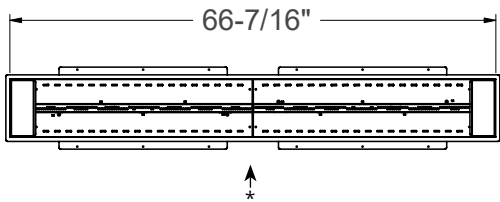
PTO30



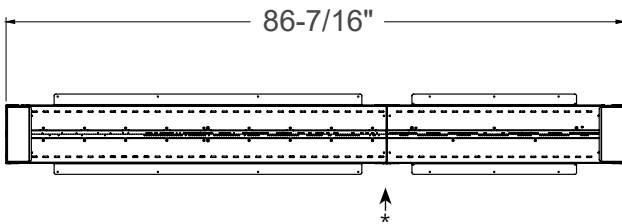
PTO50



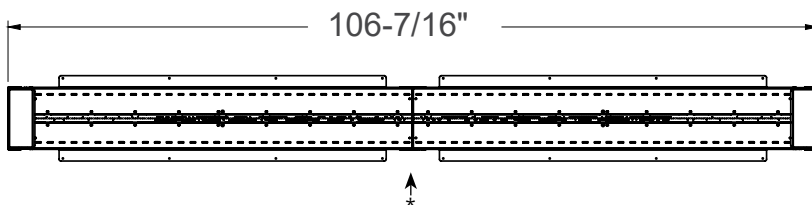
PTO60 (2 X PTO30 JOINED END TO END)



PTO80 (PTO30 & PTO50 JOINED END TO END)



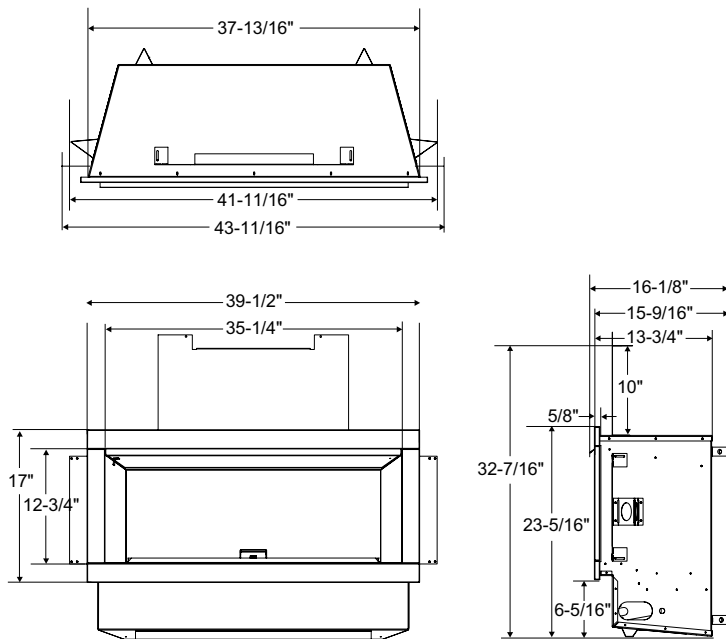
PTO100 (2 X PTO50 JOINED END TO END)



*NOTE: Gas Connection/Electrical connection locations if using optional Hardwire Kit.

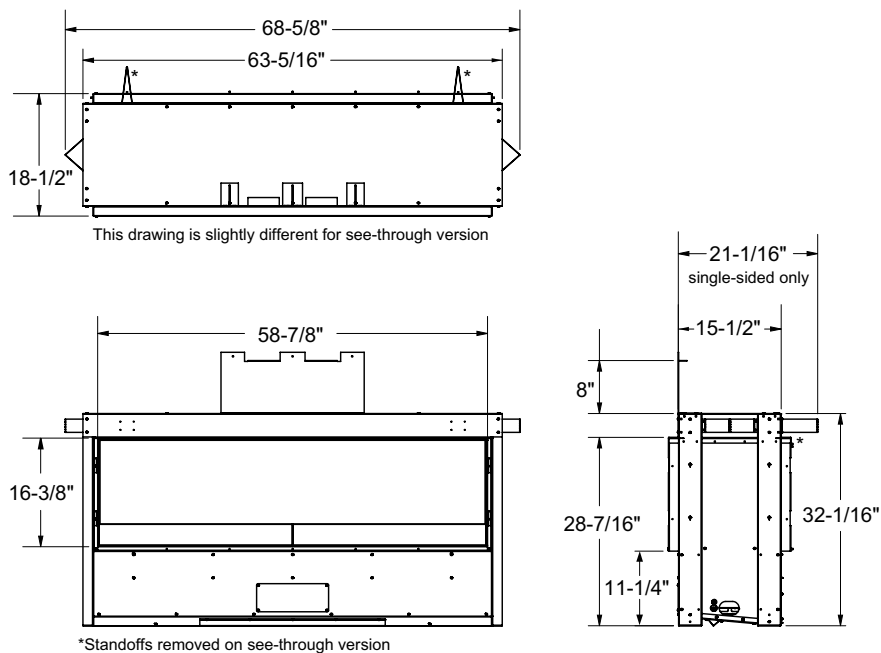
DIMENSIONS

SPECIFICATIONS HZO42



NOTE: Gas Connection/Electrical connections if using optional Hardwire Kit are located on left hand side of appliance.

SPECIFICATIONS HZO60 Single sided and see-through

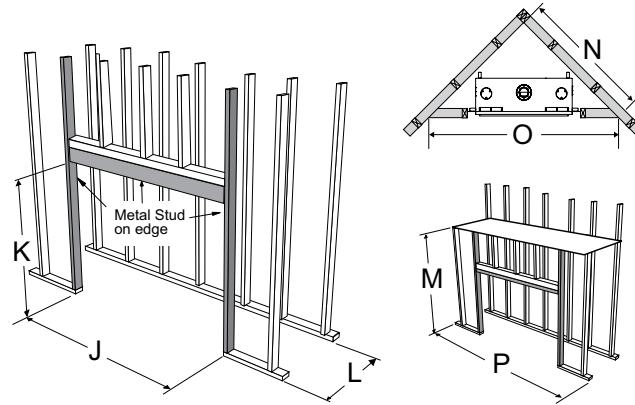


NOTE: Gas Connection/Electrical connections if using optional Hardwire Kit are located on left hand side of appliance.

DIMENSIONS

FRAMING

	HZO42	HZO60
J	42-3/16"	69"
K	32-11/16"	40-1/4"
L	20"	22-1/4"
M	52-1/2"	43-3/4"
N	40-7/16"	76-13/16"*
O	54-3/16"	108-5/8"*
P	60"	--

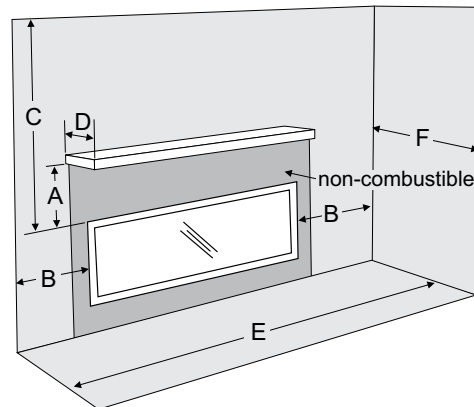


*Single sided only

Note: Please refer to the manual for specific framing instructions for the see through configuration.

CLEARANCES

	HZO42	HZO60*
A (min.)	18"	22"
B	11"	11"
C	36"	36"
D (max.)	12"	12"
E	57"	86"
F	36"	36"



* The same clearances apply for the see through configuration.

NOTE: All product specifications are subject to change without notice. Before installing refer to the relevant product manual for full and up to date information. Manuals can be downloaded from our website www.regency-fire.com

READY TO BUY



GUARANTEED QUALITY - BEST INDUSTRY WARRANTY

All Regency Fireplaces are manufactured in North America in our state-of-the-art manufacturing facility. When choosing to purchase a Regency fireplace, you choose high-quality craftsmanship, top-tier materials, and industry-leading support!

Add the warmth and comfort of a fireplace to your home, create memories that will last a lifetime, and rest easy knowing that your Regency is backed by the best warranty in the industry.

We have also carefully selected a dealer network that is committed to your satisfaction. We know that you will be as proud of your Regency as we are.



Find More Products at **REGENCY-FIRE.COM**

Your Regency Dealer

©2023 FPI Fireplace Products International Ltd. Regency®, Regency Horizon™ and Regency Plateau® are the registered or proprietary trademarks of FPI Fireplace Products International Ltd. All rights reserved. Printed in Canada (11/23)
Part no. 944-406