

H5 + H6

LARGE FIREPLACES



**NEW V-CLASS BURNER
MAXIMIZES RADIANT HEAT.**

valor

Why Choose

Feel the heat.

All our gas fireplace radiate heat. Like feeling the sun on your skin. The best kind of heat there is.

Heater-rated

We're rated with space heaters so we put Radiant Heat Technology into every fire. You can feel it.

Works quietly.

We designed our gas fireplaces to move the heated air via natural convection at the rate of 120 cubic foot per minute—no need for a noisy blower.

Stainless Steel burner

Our precision stainless steel burners don't rust, and create an enhanced flame and ember glow that produces radiant heat.

Efficiency

Valor fireplaces are heater-rated. Our Radiant Zone Heating is up to 25% more efficient than central forced air systems.

H5 ON COVER:

BIRCH 1400BLK

PLAIN BLACK LINER 1460PBL

CLEAN INSTALL KIT 1430CIK

A Valor?

Improving heat

Our exclusive *Secondary Heat Exchanger* and our aerodynamic firebox naturally improve convective heat—without a fan.

Ceramic glass window

Valor's durable and robust ceramic glass window improves radiant performance by absorbing and distributing radiant heat.

No power?

No problem. All Valor gas fireplaces run on 4 AA batteries as the primary source of power—not as back-up power like other brands. And you'll save money on your electrical bill.

Outdoor-friendly.

All Valor gas fireplaces are rated for outdoors under a covered patio and use quality materials that exceed the requirements for outdoor use.

Logs provide heat.

High definition, low mass fiber ceramic logs heat up and glow quickly. We harness the radiating heat from our logs, just like real logs.

Built to last.

Our aluminized steel fireboxes handle high temperatures, delivering efficient radiant warmth. Our baked-on powder-coated paint offers a better texture and a more durable finish.

Safety

We put our fires through rigorous safety testing in our in-house CSA approved lab. We provide a screen with every fireplace to keep you and your loved ones safe.

Design your own.

Visit the Valor Fireplace Design Center to design your very own Valor Fireplace today.



To find out more, visit valorfireplaces.com/why-valor

H5

A large format fireplace, compact in design, with a generous viewing area—fits where the H6 can't.



H5

TRADITIONAL LOGS 1100LSK
FLUTED BLACK LINER 1125FBL
FIXED FRAME KIT 1130FFK

H5 LOGS

We designed these expertly crafted fire beds as realistic-looking as possible, and engineered them to harness radiant heat from the flames and glowing embers.

H5 BIRCH





H5 TRADITIONAL LOGS



H5 DRIFTWOOD





H6
BIRCH 1400BLK
FLUTED BLACK LINER 1425FBL
CLEAN INSTALL KIT 1430CIK
HEATSHIFT 38" LDK4 + LDK5

H6 LOGS

For more images of our logs and videos of their fires, go to valorfireplaces.com or to see in person, visit your Valor dealer.



The H6 includes overhead lighting, highlighting the logs and fire—on or off.

H6 BIRCH





H6 TRADITIONAL LOGS



H6 DRIFTWOOD





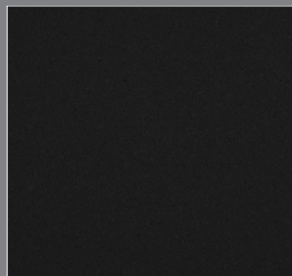
H6
TRADITIONAL LOGS 1400LSKV2
HERRINGBONE LINER 1475HBL
FIXED FRAME KIT 1430FFK

2 LINERS

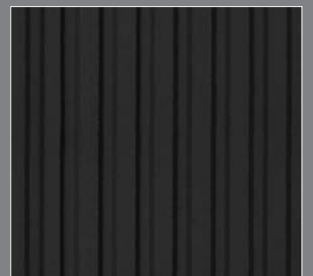
A liner can change the whole look of a fireplace and fire. Consider a firebox liner that complements your front as well as your fire bed.

Visit your local authorized Valor dealer to see a liner in person, or go to valorfireplaces.com

PLAIN BLACK



FLUTED BLACK



LINERS

Liners may vary in appearance, depending on whether the fire is on or off, and what fire bed you choose.



REFLECTIVE GLASS



HERRINGBONE



LEDGESTONE



RED BRICK



Consider the style of the room, the fire bed and liner when choosing a front.



H6
DRIFTWOOD 1400DWKV2
PLAIN BLACK LINER 1460PBL
FIXED FRAME KIT 1430FFK

3 FRONTS

We offer a selection of premium fronts for your fireplace. See more examples at your local Valor dealer or go to valorfireplaces.com

H5 EDMONT CRAFTSMAN FRONTS

These fronts are exclusive to the H5 fireplace.



H5
AGED STEEL



H5
PEWTER



CLEAN INSTALL KIT



H5 + H6 FRONTS

These styles are available on both the H5 and H6 fireplaces.

Design your
fireplace in our
Design Center



*This floating front sits
proud of the wall by 1/2".*



FIXED FRAME KIT



3-SIDED BLACK



4-SIDED BLACK

ZERO CLEARANCE (ZC)

Always a great addition to your new home or major reno. H5 OK as an insert too!



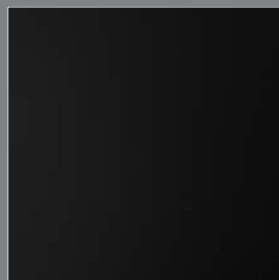
H5
BIRCH 1100BLK
PLAIN BLACK LINER 1160PBL
CRAFTSMAN AGED STEEL 1184ECAS (H5 ONLY)

4 FINISHES

Whether it's a powder-coated or plated trim, our finishes are made to last.

Ask your Valor dealer to see a finish sample in person.

BLACK



CRAFTSMAN PEWTER (H5 ONLY)



CRAFTSMAN AGED STEEL (H5 ONLY)







H6
TRADITIONAL LOGS 1400LSKV2
PLAIN BLACK LINER 1460PBL
CLEAN INSTALL KIT 1430CIK
HEATSHIFT 48" LDK1 + LDK2

HEATSHIFT™

KEEPS WALL COOLER

Pioneered by Valor, our unique HeatShift System naturally circulates up to 125 cubic feet of convective heat per minute through hidden ducts and back into the room—avoiding surface areas above the fireplace.

IMPROVES PERFORMANCE

Harnessing convective warmth, up to 60% of fireplace heat rises and flows through HeatShift and back into the room. The remaining heat radiates from the fireplace, keeping you warm.

NO ELECTRICITY REQUIRED

HeatShift circulates heat naturally using gravity and Valor product ingenuity—no need for a fan or electricity. No power—no problem.

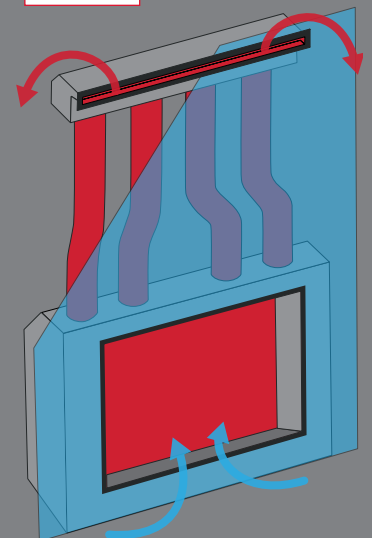
DESIGN FLEXIBILITY

Run standard finishing materials right up to the fireplace surround, including drywall, wood, tile and stone.

Install mantels lower than usual at a one-to-one ratio of depth to height from the fireplace surround.

CONSTRUCTION MADE EASY

Valor fully ducts HeatShift for clean, safe air quality, meeting North American building code standards.





HEATSPLIT

MULTI-ZONE HEATING

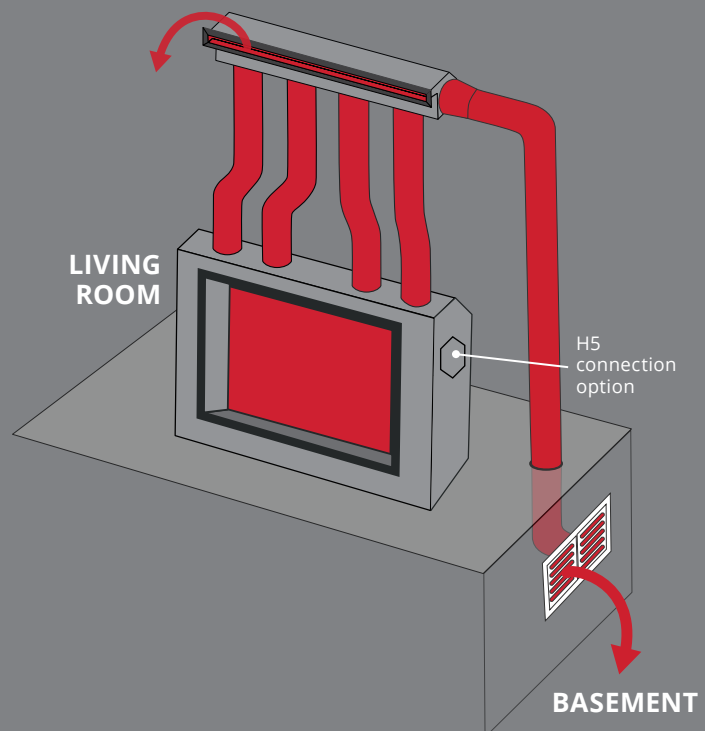
Looking to heat other areas in your home?

Valor's HeatSplit (1270RBK) provides distribution of heat, redirecting HeatShift heat to other areas of your home such as bedrooms, hallways or utility rooms.

Multi-zone heating targets specific areas that you frequent the most—where you want it, when you want.

The HeatSplit fan connects directly to both 38" and 48" front wall plenums, moving heat to separate spaces for multi-zone heat management in the home.

Zone heating with Valor HeatSplit delivers the perfect blend of radiant and convective warmth while being more economical and efficient.



Do everything you can do with your Valor 10 remote—and more—with our Valor 10 app.

Child Proof your remote for safety and ease.

Accurately knows the current temperature of your room.

Set the timer to turn the fireplace off up to 9 hours ahead.

Set the temperature for specific times of the day.

Program your fireplace to turn on and off when you want at the temperature you want.



The Remote Battery and Wall Switch kit comes standard with all Valor 10 remotes. The kit lets you control your fireplace and gives you easy access to your fireplace's receiver batteries.

VALOR 10: REMOTE

Standard with the H5 and H6, Valor's new interactive remote control has up-to-the-moment information on the state of your fireplace—such as temperature and other customizable settings.

Learn more about our remote and app:





TAKE COMPLETE CONTROL

Increase or decrease flame height to find the perfect ambiance. Use the color wheel to find the ideal temperature setting.



CONTROL FEATURES

If you have a fan, set the speed of the fan from low to high. In the H6, you can adjust the fireplace's lighting too.

SAVE ON ENERGY COSTS

Save energy while enjoying a changing, realistic flame with ECO mode.



Choose time and the percentage of energy saved is shown in the circle/leaf.

PROGRAM ON THE GO

Program days, times and temperature settings to match your lifestyle.

Set a countdown timer so your fireplace shuts off automatically.



VALOR 10: APP

The Valor 10 remote pairs with the Valor 10 App so you can control your fireplace with your smartphone.





H5
BIRCH 1100BLK
FLUTED BLACK 1125FBL
FIXED FRAME KIT 1130FFK



ENERGY EFFICIENCY

To find out more, visit
valorfireplaces.com/efficiency

EFFICIENCY RATINGS

While the North American fireplace industry is largely self-regulated, at Valor we use recognized Canadian and US government testing methods to determine our energy efficiencies, and ensure our products perform in your home as rated. All our fireplaces are available as natural gas or propane.

SECONDARY HEAT EXCHANGER

The built-in Secondary Heat Exchanger naturally improves convective heat—removing the need for a fan. Your fire will heat up fast for immediate comfort—and with no need for electricity, you'll save money.

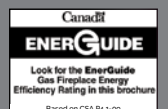


H5 1100MN/MP	
EnerGuide	71%
High	30,000
Low	16,000
Max Output*	22,857

H6 1400MN/MP	
EnerGuide	71%
High	36,000
Low	18,500 NG 15,000 Propane
Max Output*	26,928

*EnerGuide ratings and outputs have been determined without a fan/blower, using the CSA P.4.1-15 test method.
 Certified to ANSI Z21.88/CSA 2.33 Vented Gas Fireplace Heater American National Standard. CGA-2.17-91 Gas Fired Appliances for use at High Altitudes.

Find out more about Valor's energy efficiency

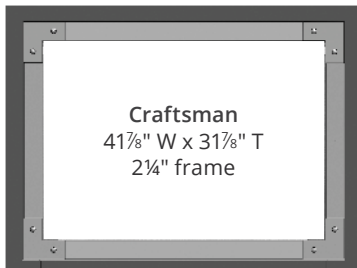
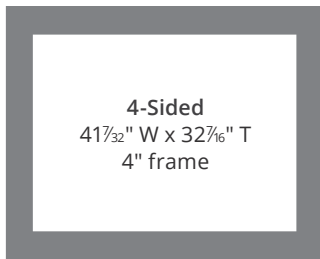
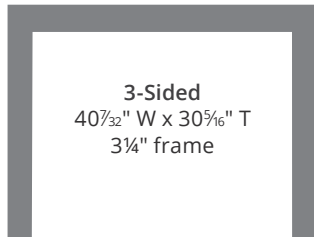
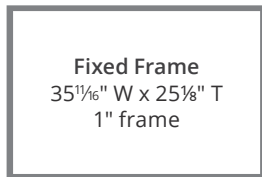
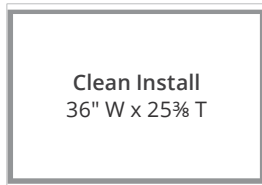




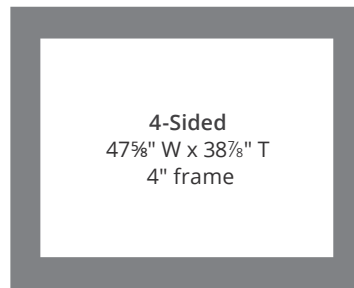
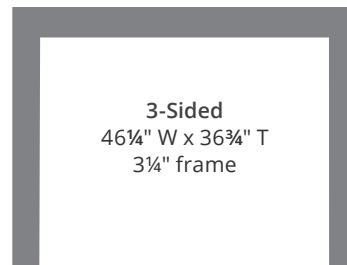
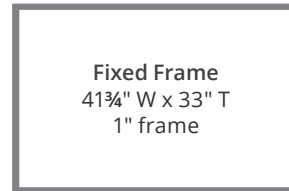
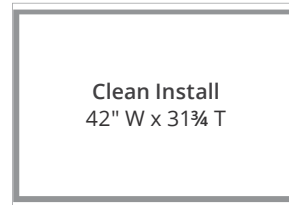
H5
DRIFTWOOD 1100DWK
HERRINGBONE LINER 1175HBL
FIXED FRAME KIT 1130FFK

FRONT DIMENSIONS

H5 FRONTS



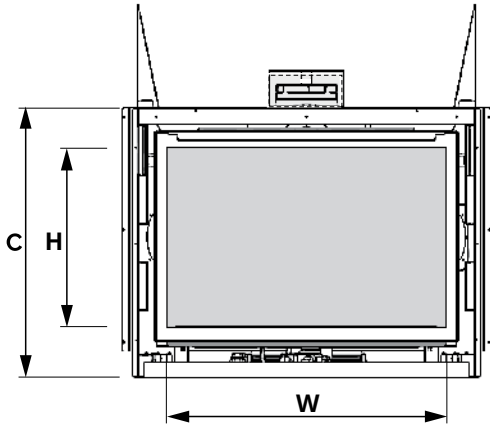
H6 FRONTS



ALWAYS REFER TO THE
INSTALLATION MANUAL FOR
COMPLETE INSTRUCTIONS.

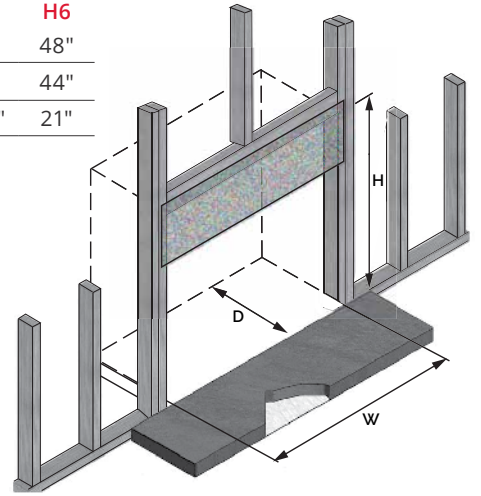


DIMENSIONS

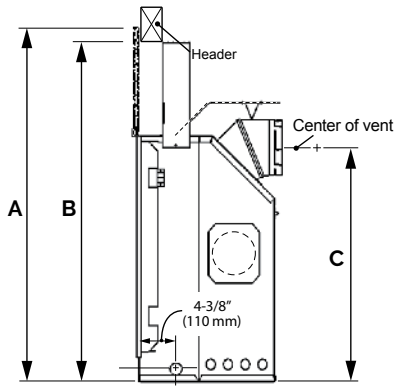


	H5	H6
W	30"	36½"
H	19¼"	25½"
C	29"	34½"

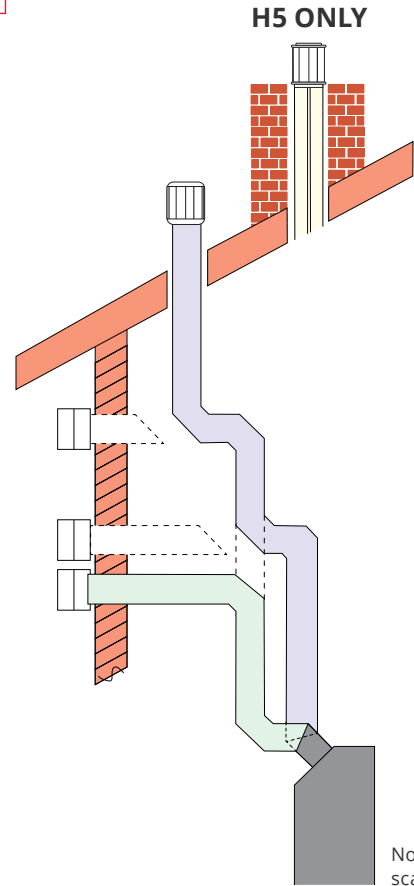
	H5	H6
H	40"	48"
W	38"	44"
D	17½"	21"



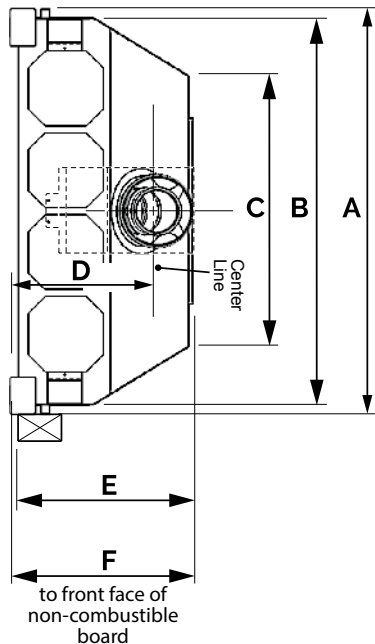
ALWAYS REFER TO THE
INSTALLATION MANUAL FOR
COMPLETE INSTRUCTIONS.



	H5	H6
A	41½" min.	49½" min.
B	40"	48"
C	27½"	32¾"



Not to scale



	H5	H6
A	38"	43¾"
B	36½"	42¼"
C	25¼"	27¾"
D	13¾"	15¾"
E	17½"	20¾"
F	18"	21¾"

- Total length of vent pipe can't exceed 40 feet.
- Minimum vent rise after first elbow:
H5, 12" minimum; H6, 24" minimum.
- Maximum of 4 x 90 degrees elbows or equivalent (2 x 45 degrees—90 degrees).
- Colinear venting into existing chimneys with H5.

OPTIONS

DIRECT VENT ENGINE

	H5	H6
Natural Gas	1100MN	1400MN
Propane	1100MP	1400MP

1 FIRE BEDS

Birch	1100BLK	1400BLK
Traditional Logs	1100LSK	1400LSKV2
Driftwood	1100DWK	1400DWKV2

2 LINERS

Plain Black	1160PBL	1460PBL
Ledgestone	1115LSL	1415LSLV2
Fluted Black	1125FBL	1425FBL
Reflective Glass	1170RGL	1470RGL
Herringbone	1175HBL	1475HBL
Red Brick	110VRL	

3 FRONT

Clean Install Kit	1130CIK	1430CIK
Fixed Frame Kit	1130FFK	1430FFK
3-sided, Black	1135TSB	1435TSB
4-sided, Black	1140FSB2	1440FSB2
Edgemont Craftsman Aged Steel	1184ECAS	
Edgemont Craftsman Pewter	1184ECPW	

OPTIONAL

Outdoor Conversion Kit	GV60CKO	GV60CKO
HeatSplit	1270RBK	1270RBK
Circulating Fan	1195CFK	1495CFK

HEATSHIFT (Recommended)

48" Plenum + white Finishing Frame	LDK1 + LDK2	LDK1 + LDK2
38" Plenum + white Finishing Frame	LDK4 + LDK5	LDK4 + LDK5
30" Plenum + white Finishing Frame	LDK9 + LDK10	LDK9 + LDK10
14" Plenum + white Grilles (2)	LDK3	LDK3
Valance, two plates (hidden)	LDK7	LDK7

⚠ WARNING

This product can expose you to chemicals including Benzene, which is known to the State of California to cause cancer and birth defects or other reproductive harm.

For more information go to www.P65Warnings.ca.gov



Note: Natural gas, in its original state, contains Benzene.



valorfireplaces.com

H5
DRIFTWOOD 1100DWK
HERRINGBONE LINER 1175HBL
4-SIDED BLACK FRONT 1140FSB2

BRH5H624E SEP

Copyright Miles Industries Ltd. 2024
Designed and manufactured by Miles Industries Ltd.

